





Ventilation Glands Polyamide

Cable glands with integrated ventilation

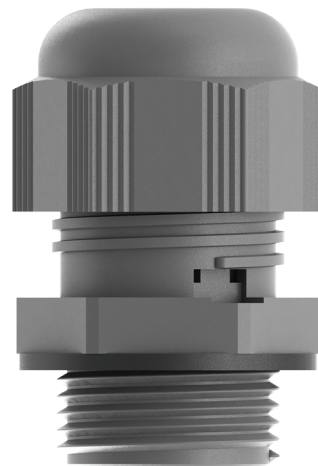
- Balances pressure differences between inner housing and the outside environment.
- Prevents damages according to pressure differences.
- Prevents the formation of water condensation in tightly-sealed standard housings.
- Advantages of cable gland and pressure balance element combined in one product.
- Properties of the ventilation membrane stay the same independent of cable diameter and torque.
- Membrane properties: hydrophobic, oleophobic.
- Easy assembly: install cable gland - insert cable - tighten cap.
- High quality strain relief and sealing reliable performance for standard industrial applications.
- Up-to-date international approvals.

Technical Details

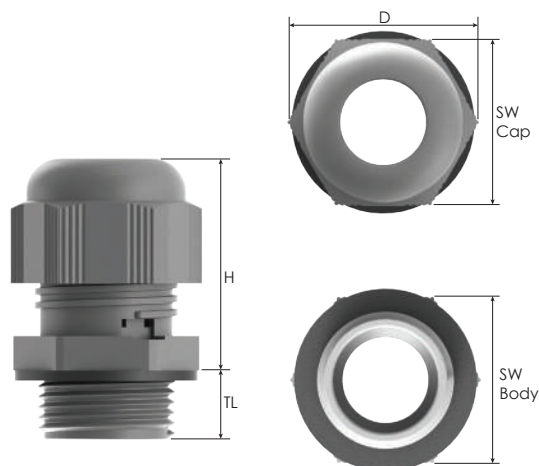
Body, Cap	PA 6 (Polyamide 6)	
Seal	CR (Chloroprene)	
Material		
Vent. Membran	PTFE	
Gasket	NBR	
Ingress Protection Rating	IP 66 IP 67	
Flammability	V2 according to UL94	
Operating Temperature	Permanent	Intermittent
	-20 °C to +100 °C	-30 °C to +150 °C
Cable Type	Non armoured	
Thread Type	<ul style="list-style-type: none"> • Metric EN 60423 • PG DIN 40430 • Other thread types also available upon request. 	
Accessories	<ul style="list-style-type: none"> • Lock nuts • Dome plugs 	
Remarks	<ul style="list-style-type: none"> • Manufactured according to DIN EN 62444/50262. • We recommend the use of lock nuts and gaskets to ensure IP rating for rough surfaces or through holes. • Accessories must be ordered separately. • Some approvals do not cover all colours or sizes. 	

Approvals	Certificate Number	Standards
	134171	DIN EN 62444
	115116_0_000	CSA C22.2
	E199260	UL514B CSA22.2 No 18.3-12 CSA22.2 No 94.2-15
TYPE 4X		UL50E
	E-14046	EN62444

For more approvals: see our webpage.



Ventilation Glands Polyamide



Thread Type METRIC acc. to EN 60423

Outer Thread Size (Male)	Clamping Range Ø min-max mm	Average Air Flow for $\Delta P = 70$ mbar/1 psi l/h	Water Intrusion bar	Outer Thread Length TL mm	Spanner Width		Outer Ø D mm	max. Height H mm	Part Number			Minimum Order Quantity
					SW Cap mm	SW Body mm			RAL 7035 light grey	RAL 7001 grey	RAL 9005 black	
M12x1,5	4,0 - 7,0	25	0,1	8,0	19	19	21,7	28,3	BMVG-1S	BMVG-0S	BMVG-2S	2000
M16x1,5	4,0 - 7,0	25	0,1	10,0	19	19	21,7	28,3	BMVG-11	BMVG-01	BMVG-21	2000
M20x1,5	6,0 - 11,0	40	0,1	10,0	24	24	27,0	33,3	BMVG-12	BMVG-02	BMVG-22	1500

Thread Type PG acc. to DIN 40430

Outer Thread Size (Male)	Clamping Range Ø min-max mm	Average Air Flow for $\Delta P = 70$ mbar/1 psi l/h	Water Intrusion bar	Outer Thread Length TL mm	Spanner Width		Outer Ø D mm	max. Height H mm	Part Number			Minimum Order Quantity
					SW Cap mm	SW Body mm			RAL 7035 light grey	RAL 7001 grey	RAL 9005 black	
PG 9	4,0 - 7,0	25	0,1	8,0	19	19	21,7	28,3	BSVG-12	BSVG-02	BSVG-22	2000
PG 11	4,0 - 7,0	25	0,1	8,0	19	22	24,9	28,3	BSVG-13	BSVG-03	BSVG-23	1500
PG 13,5	6,0 - 11,0	40	0,1	9,0	24	24	27,0	33,3	BSVG-14	BSVG-04	BSVG-24	1500